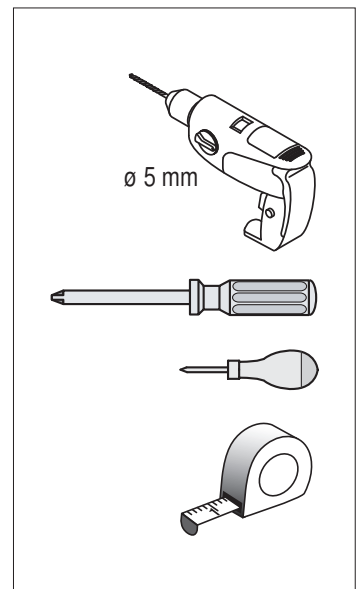
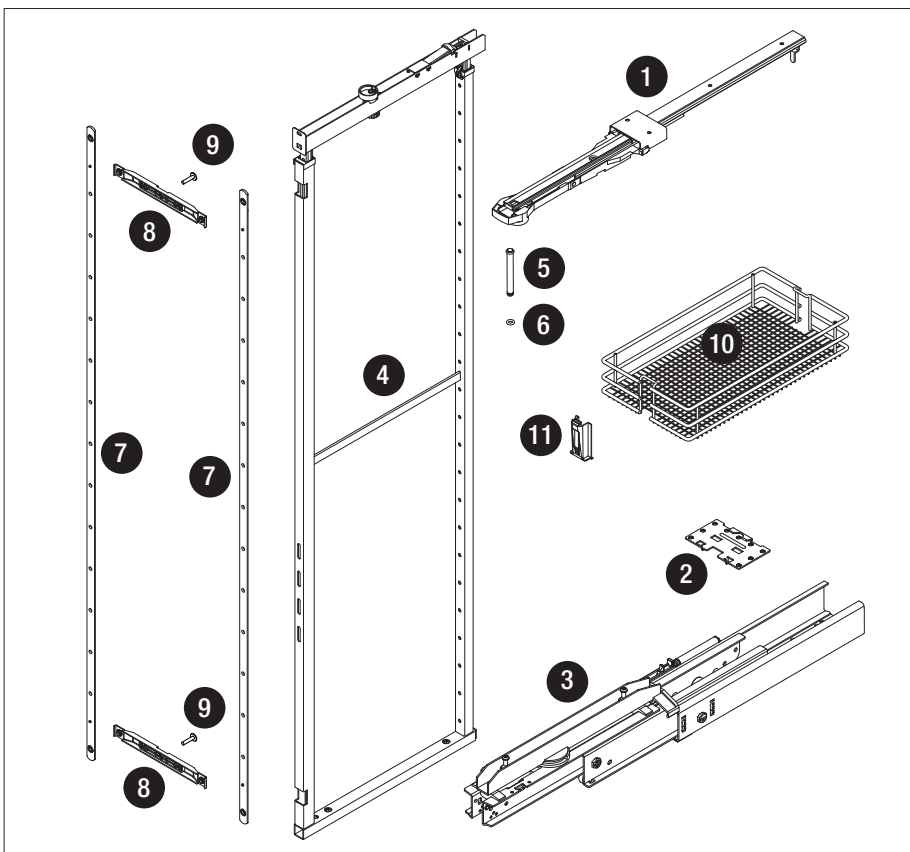
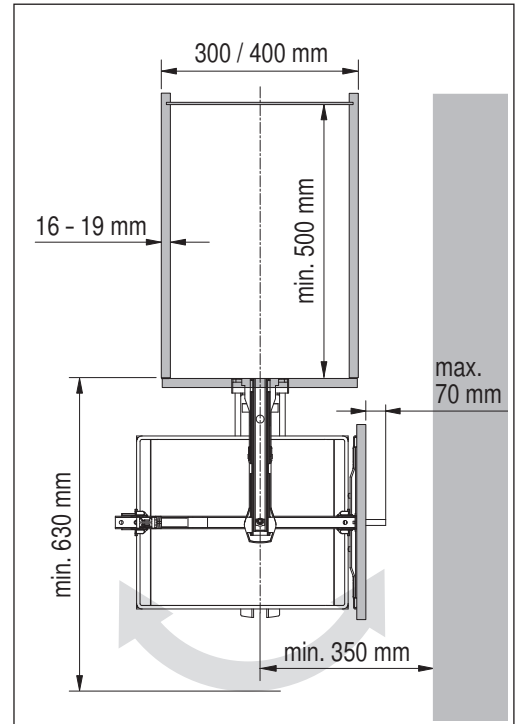
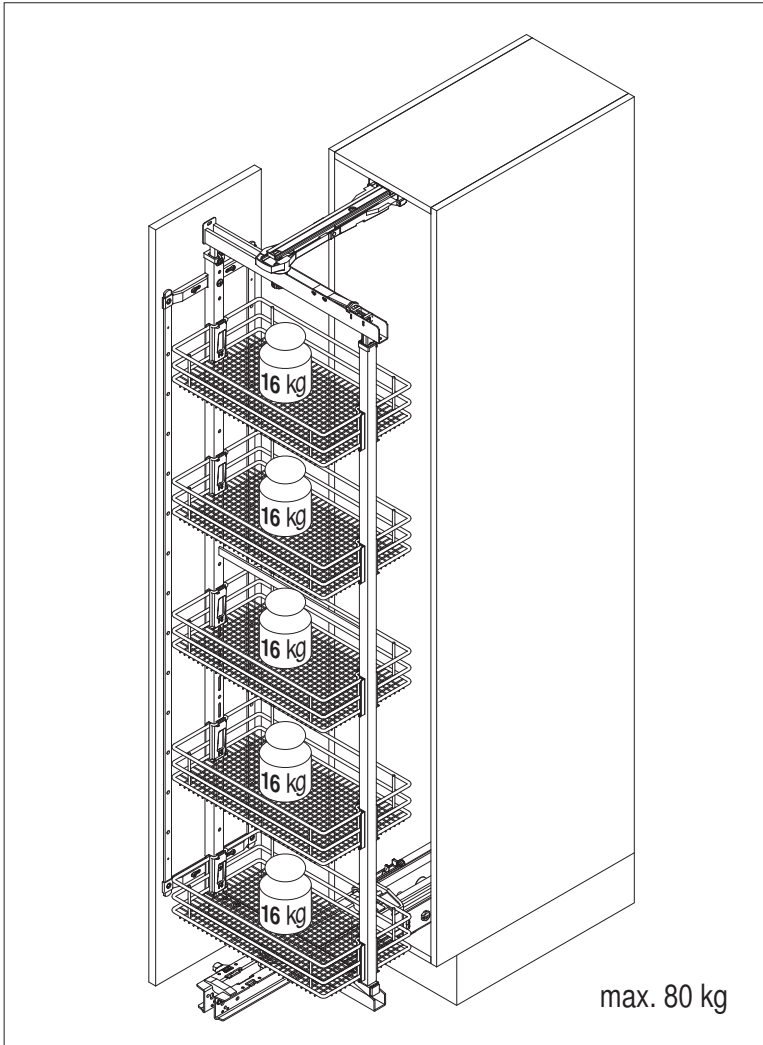
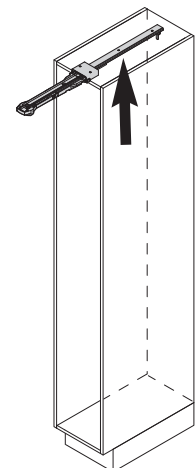
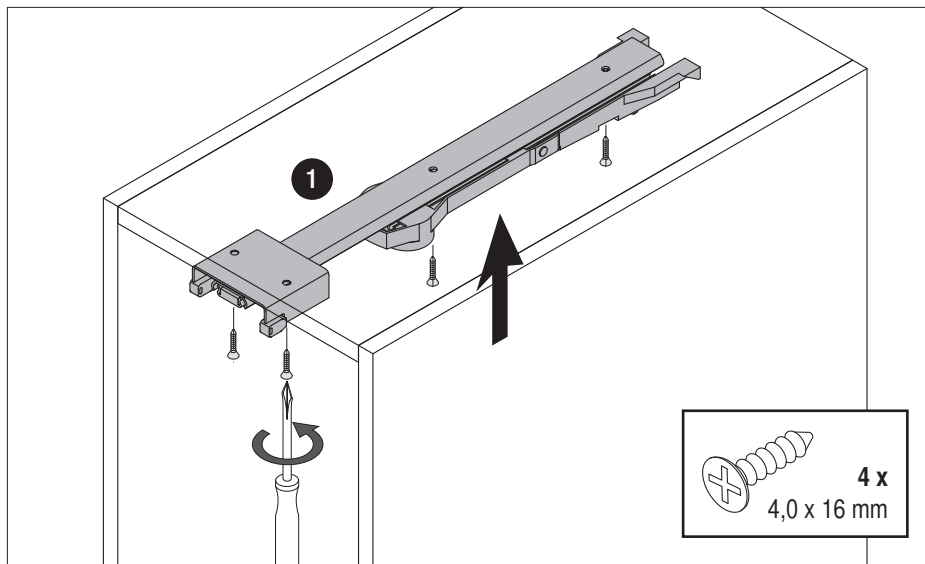
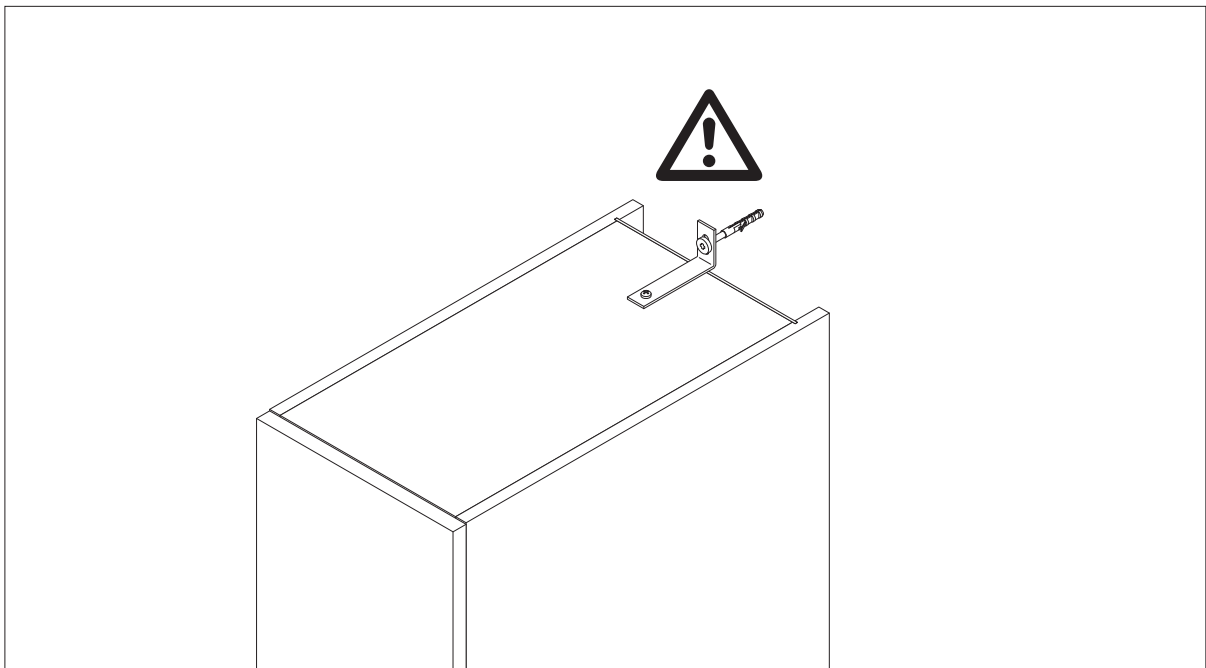
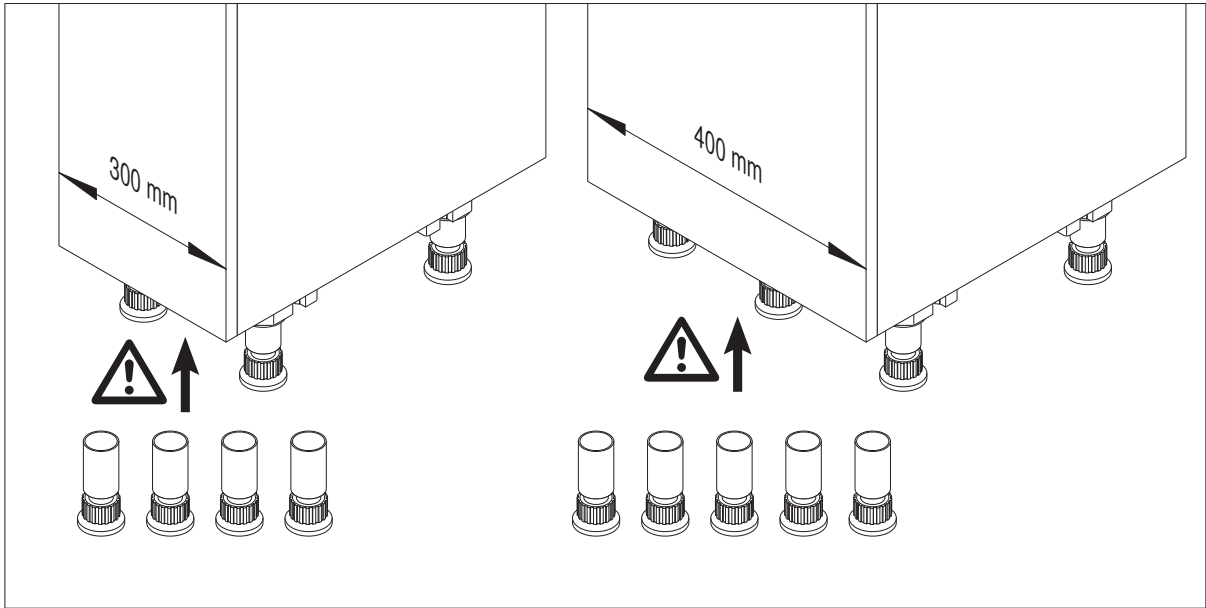




03 / 2008 / 062

HSA rotary[®]

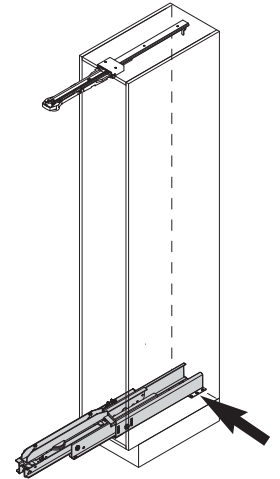
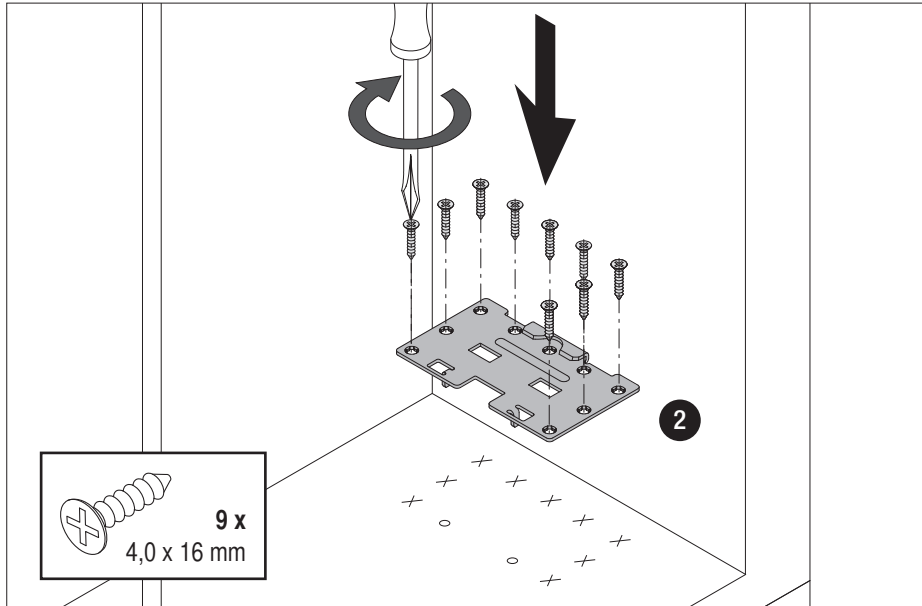




2



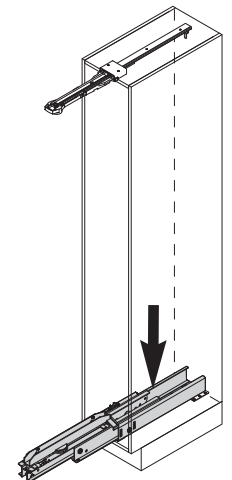
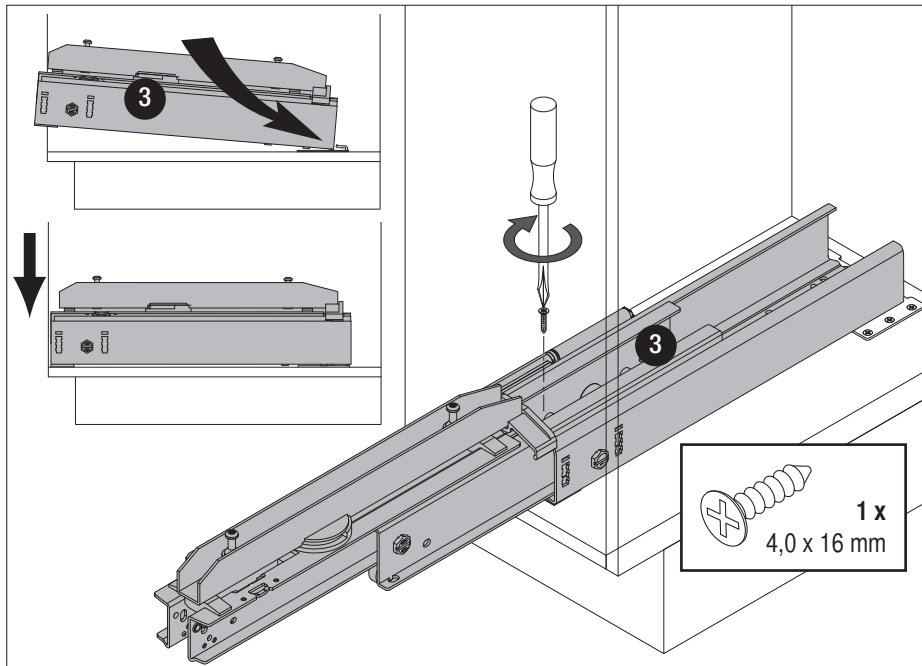
B



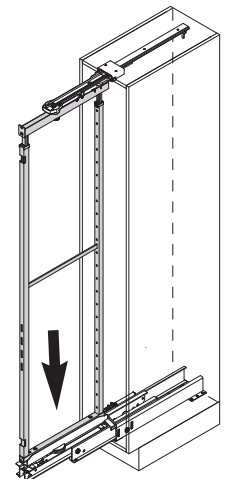
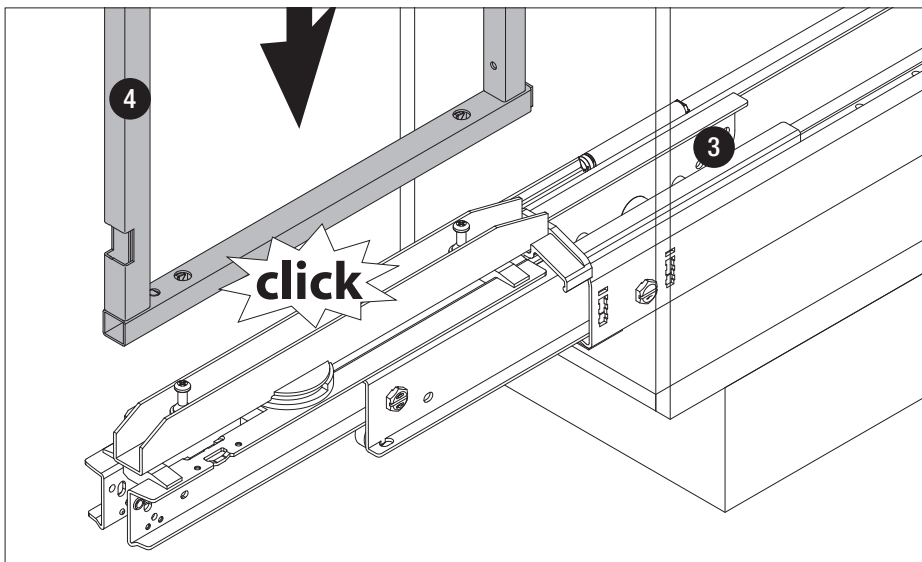
3



B

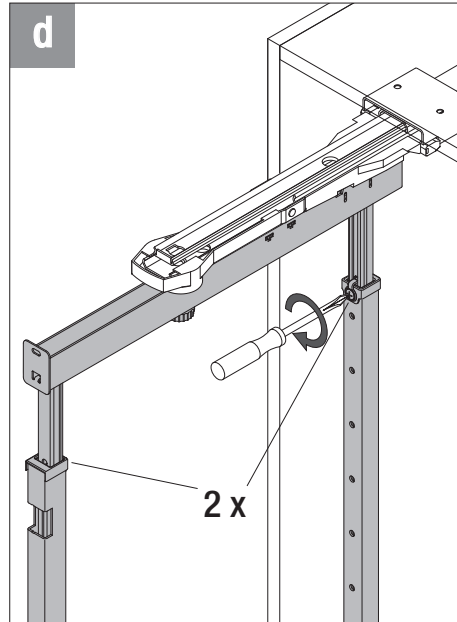
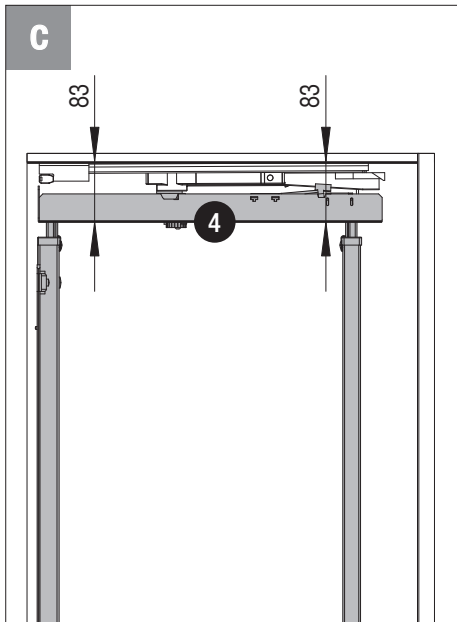
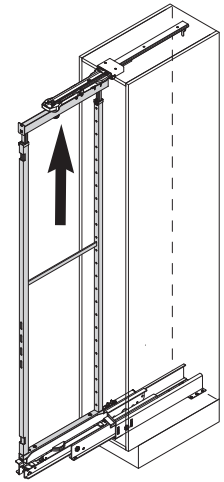
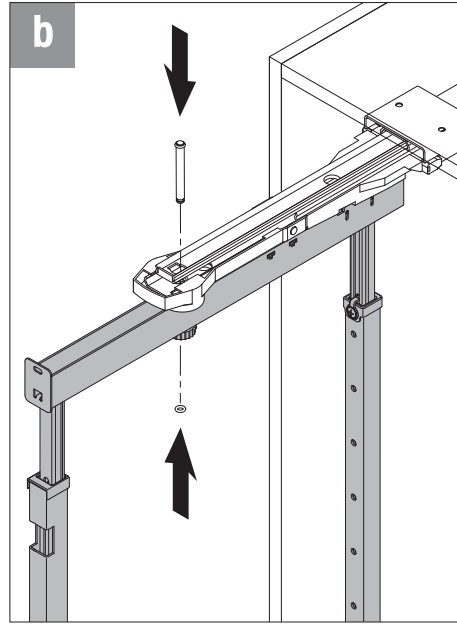
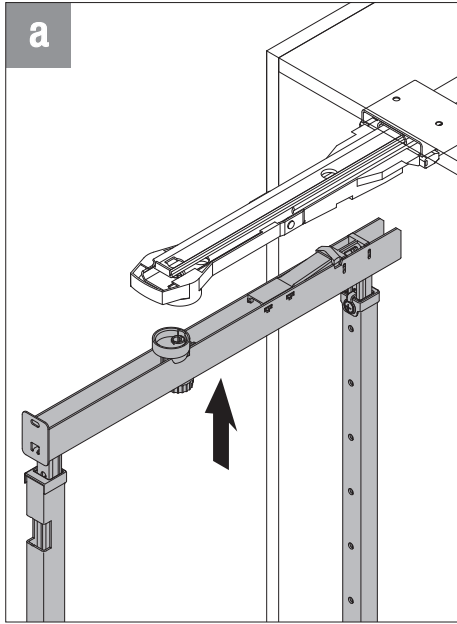


4





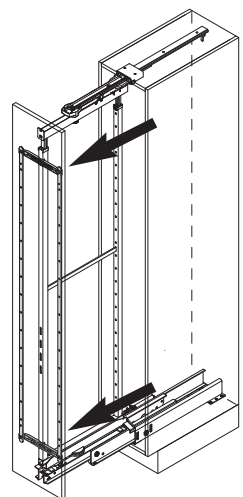
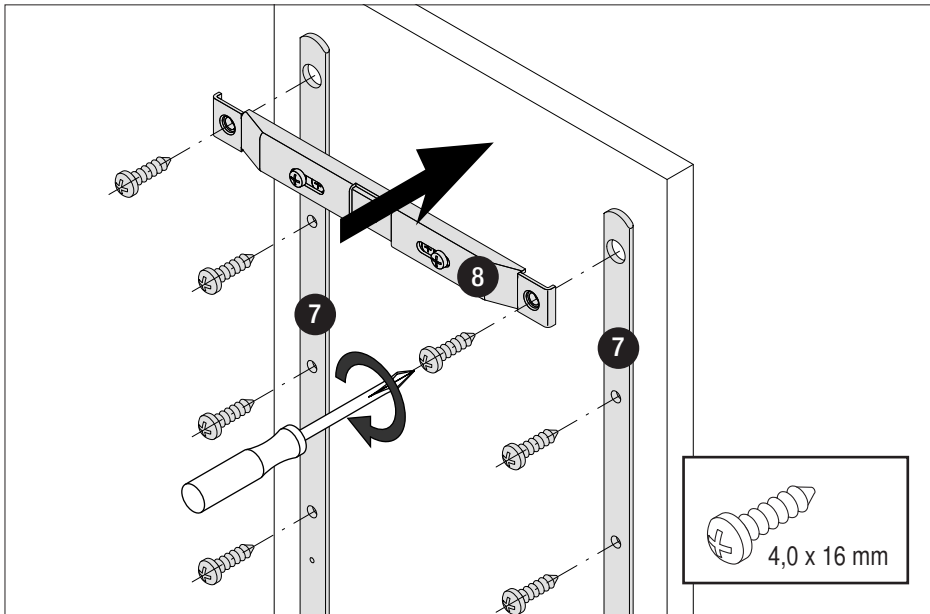
5



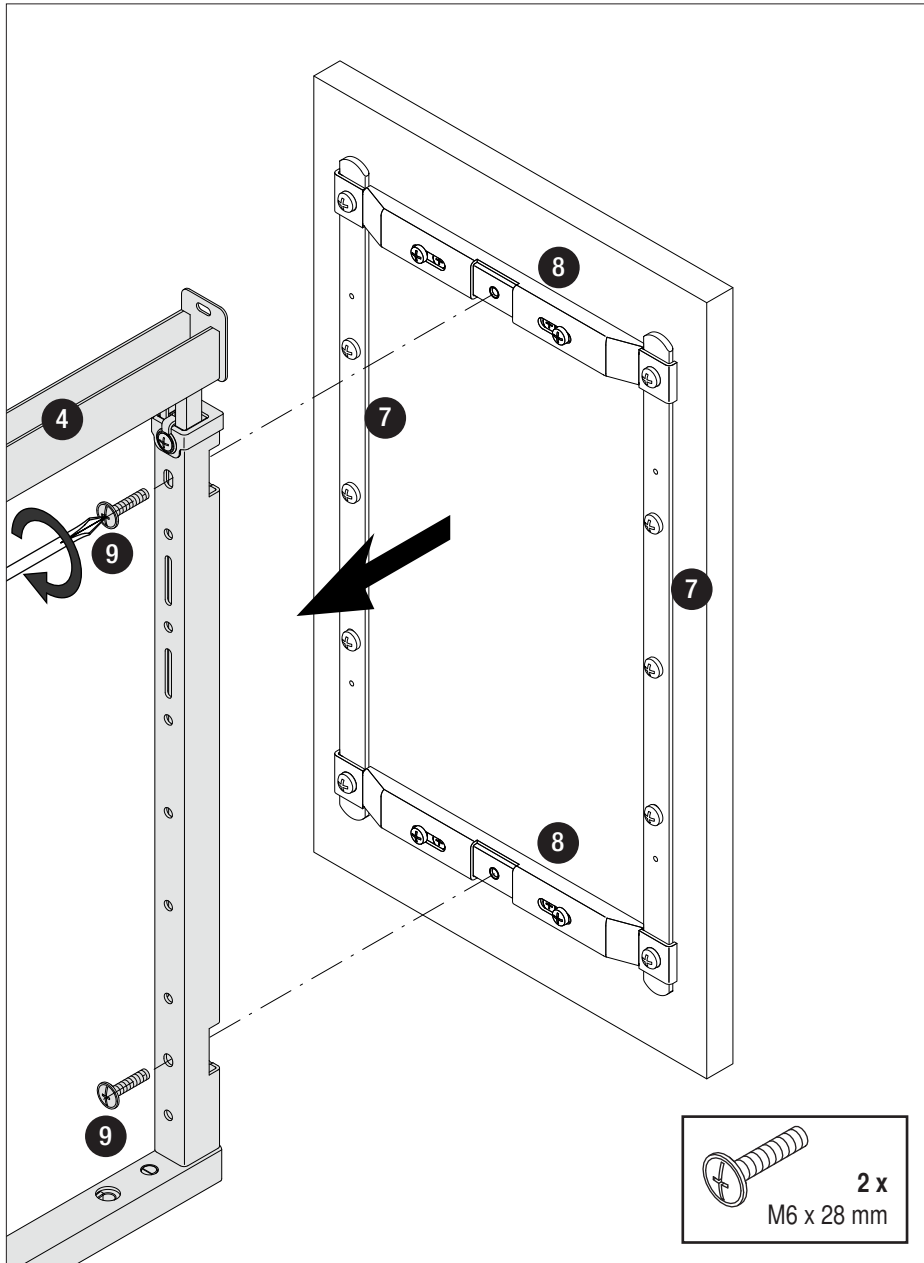
6



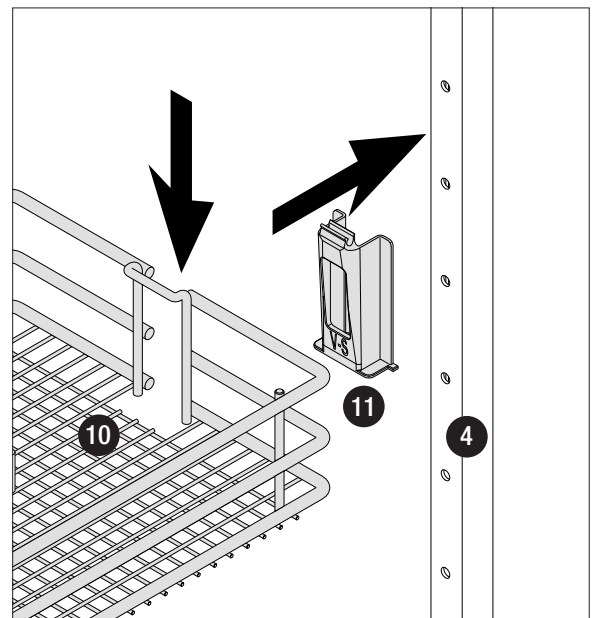
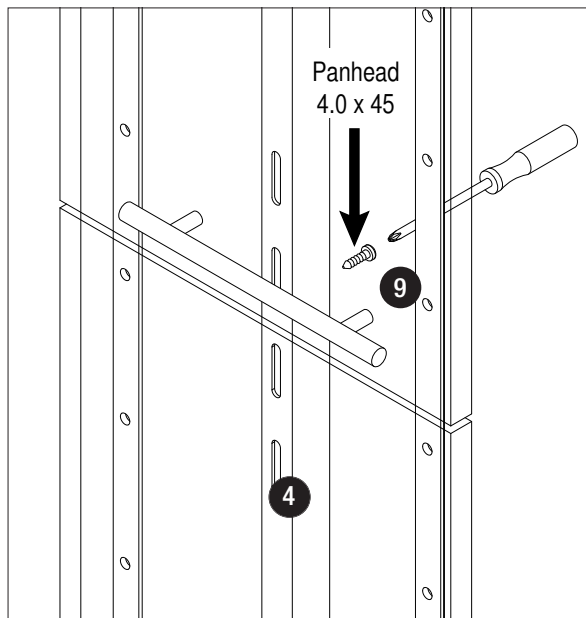
C

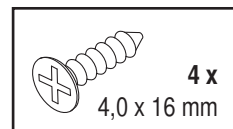
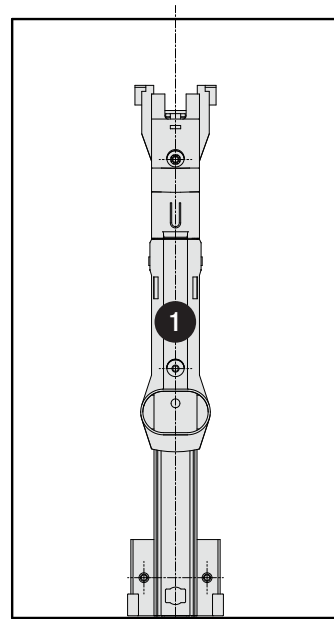
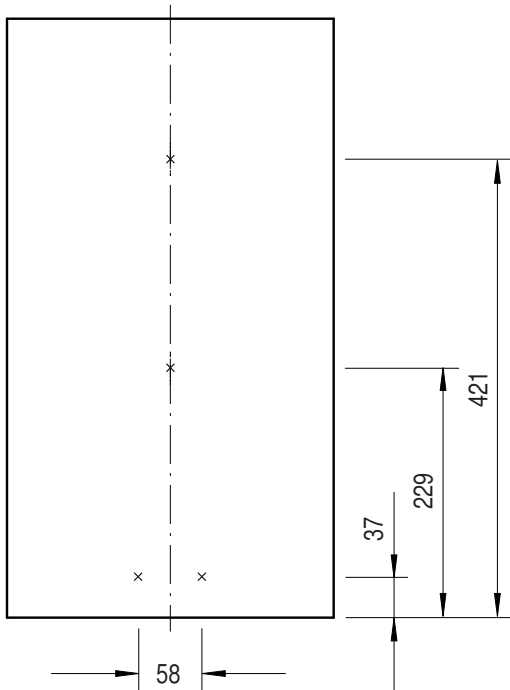
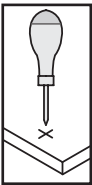
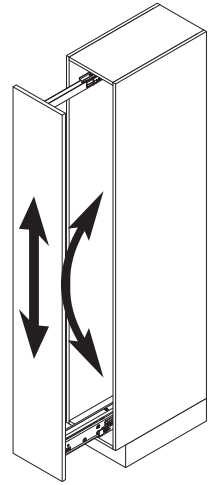
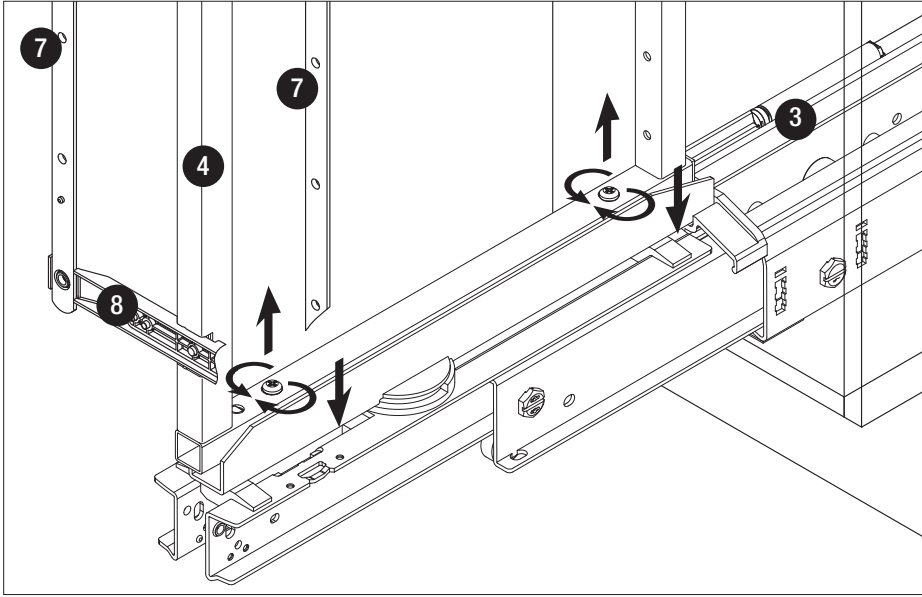
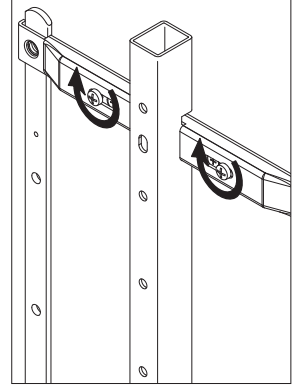
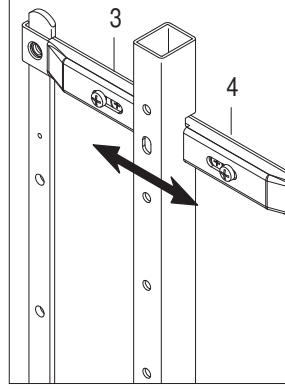
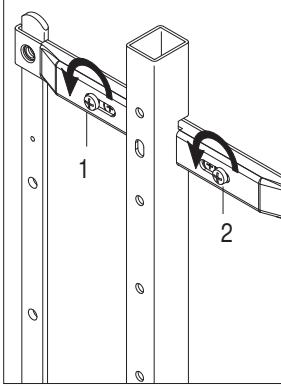


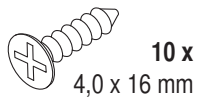
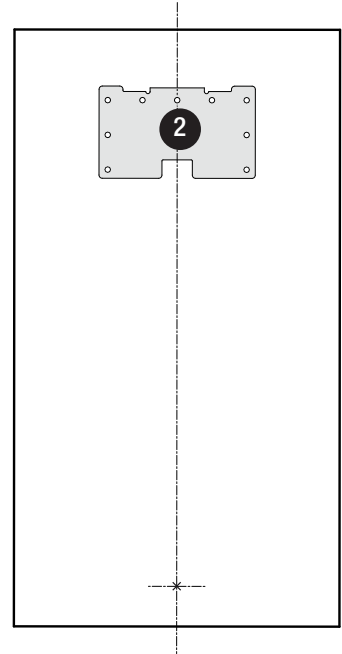
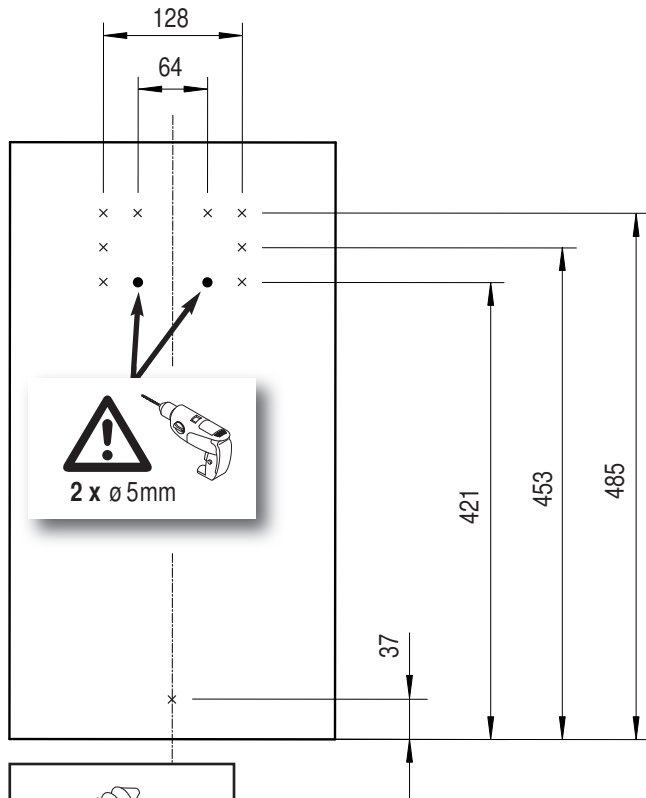
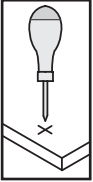
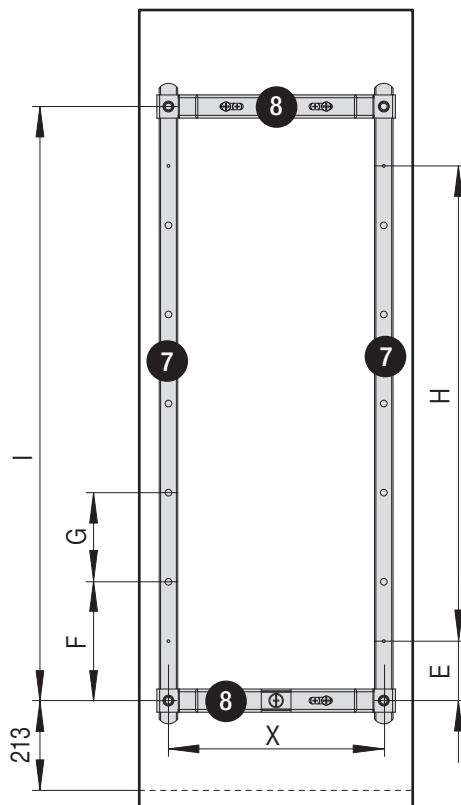
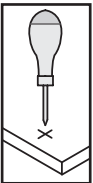
7



8





B**C**

A	X
300	232 mm
400	325 mm

	\varnothing 5 mm	\varnothing 5 mm	\varnothing 5 mm	\varnothing 5 mm	\varnothing 5 mm
	E	F	G	H	I
HSA 3	64 mm	112 mm	7 x 96 mm	768 mm	896 mm
HSA 4	64 mm	96 mm	10 x 96 mm	1024 mm	1152 mm
HSA 5	64 mm	128 mm	12 x 96 mm	1280 mm	1408 mm
HSA 6	64 mm	96 mm	14 x 96 mm	1408 mm	1536 mm

